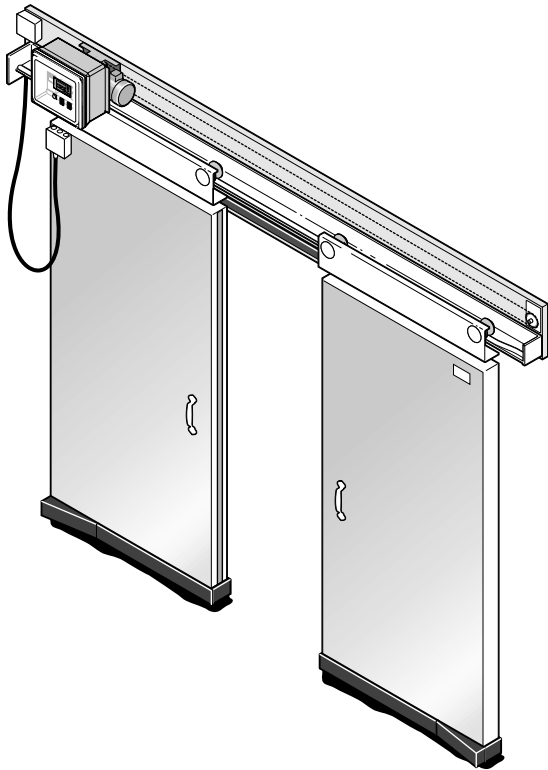


Bi-Parting Horizontal Sliding Door

Power operated ♦ Cooler or Freezer



Features

- ♦ **QUIET OPERATION**
- ♦ **EASY INSTALLATION** - job-site adjustment flexibility
- ♦ **HEAVY DUTY TRACK ASSEMBLY & HARDWARE**
- ♦ **GUIDE SYSTEM** - ensures airtight seal and reduces gasket wear along the top and bottom
- ♦ **CLASS 1 CFC FREE FOAM INSULATION**
- ♦ **CAMLOCKED DOOR SECTIONS** - allows easy replacement in the event of damage
- ♦ **WATER RESISTANT SIDE FRAMES** - PVC insulated base
- ♦ **REPLACEABLE HEATER CABLE** - does not require removal of door from track
- ♦ **SAFETY EDGE** - provides instant stop and reverse upon contact
- ♦ **CONCEALED RELEASE CABLE** - mounted within door panel for tamper resistance and clean look
- ♦ **EASY GASKET REPLACEMENT**

Power Operator Features

- ♦ **RAPID OPEN/CLOSE** - up to 42" per second
- ♦ **SELF CALIBRATING OPEN & CLOSE SET FEATURE** - upon power hook up door sets its own limits
- ♦ **EASY SET UP** - all adjustments are made with external controls
- ♦ **DIGITAL TEXT DISPLAY** - provides easy to read interface
- ♦ **SOFT START AND SOFT STOP**
- ♦ **DOORS STAY SHUT** - utilizes motor torque to ensure airtight seal in closed position
- ♦ **SINGLE DRIVE SPROCKET** - no secondary chains and sprockets
- ♦ **STANDARD, READILY AVAILABLE COMPONENTS**
- ♦ **PROVEN PERFORMANCE** - field tested through over 1,000,000 cycles
- ♦ **LOW MAINTENANCE** - auto alert when maintenance is needed

Architectural Specifications

Where indicated on plans, furnish R-Plus Cold Storage Doors to fit door opening size: _____ wide by _____ high, or as shown on architectural drawings.

Features

Door Sizes

- ♦ Standard sizes available up to 12' x 12' (contact factory for larger)
- ♦ All doors are custom made to order

Door Insulation

- ♦ CFC Free
- ♦ Class 1 foamed in place polyurethane
- ♦ ASTM E-84 flame spread less than 25, smoke developed less than 450
- ♦ Thickness 3.5" = R-28, 5" = R-40
- ♦ K Factor = .12

Panel Cladding

- ♦ Galvanized or white enameled steel (stucco, 26ga. or smooth, 24ga.)
- ♦ Stainless steel, 22ga.
- ♦ Sandstone, 26ga.
- ♦ Aluminum, .040

Side Frame Reinforcement

♦ Wood

Metal clad over sealed plywood for structural strength, 6" standard

♦ PVC

High density filled polyurethane for higher insulation, 4" standard

Gasket

- ♦ Replaceable, grease-resistant neoprene bulb-type seals
- ♦ Double sill neoprene wiper gasket

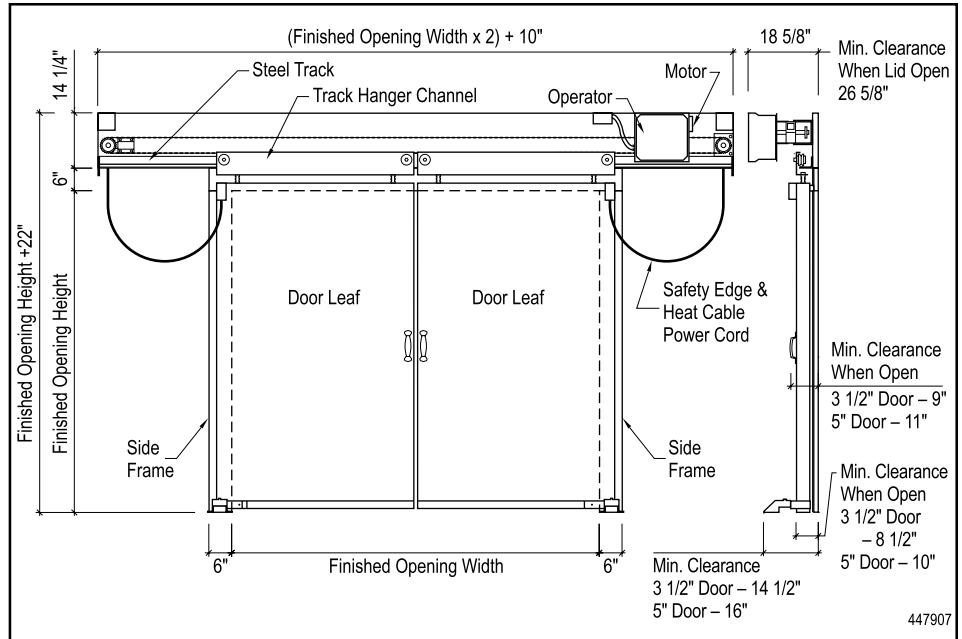
Door Heaters

on freezer models

- ♦ Replaceable UL approved pre-wired heater cable in door panel

Electric Operator

- ♦ NEMA 4 rated enclosure
- ♦ Continuous duty rated, 3/4 hp UL listed motor



- ♦ Up to 42" per second, per panel
- ♦ Incorporates a variable frequency drive
- ♦ Soft start speed minimizes wear on sprockets and drive equipment
- ♦ Dynamic control system ramps down speed for soft stop
- ♦ Solid state circuitry digital control system
- ♦ 24 volt control circuit
- ♦ Programmable logic controller
- ♦ No maintenance gearbox
- ♦ Interior & exterior industrial pull cord switches
- ♦ Control panel is UL approved

Track System

- ♦ Heavy duty steel with corrosion protective hot dipped galvanized finish
- ♦ Heavy duty track hanger channel with V-groove wheels
- ♦ No barn door hardware

Safety equipment

- ♦ Pneumatic safety edge along the full height of door
- ♦ Safety release with concealed cable

Warranty

- ♦ 5 yrs on panel, 2 yrs on parts against defects on material and workmanship

Optional Features

- ♦ Return jamba
- ♦ Variable length cables for remote location of control panel
- ♦ Heated control panel for doors mounted on interior of freezers
- ♦ Double frame and header (mirror casing)
- ♦ Locking provision with safety release
- ♦ Tamper proof fasteners
- ♦ Extra push button or pull cords
- ♦ Remote control
- ♦ Photo-eye control
- ♦ Loop detectors
- ♦ Triple pane windows, heated or non-heated 14" x 14" standard (please contact factory for other sizes)
- ♦ Hood for track and operator
- ♦ Kick plates - 16 ga. galvanized steel, 18 ga. stainless steel and diamond plate aluminum
- ♦ Meat rail track port
- ♦ **Corrosion resistant package** - all stainless steel components and powder coated hardware
- ♦ **Power wash down package** - stainless steel finish, NEMA 4X control box and electrical components, IP 66 rated mechanical components

In line with our commitment to improvement and engineering development, we reserve the right to change specifications or details without notice or obligation.

